



OVERVIEW

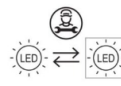
Series 839 is a high performance Circular recessed LED downlight with Ø232mm. There are a choice of outputs up to 3000lm and a large choice of IP rating and glass options to suit any application. Series 839 is also versatile with offering multiple control options including DALI and wireless Casambi. The luminaire is made from Die cast bezel with an aluminium extruded heatsink to provide good thermal management.

FEATURES

- Lifetime >60,000 hours @ L70
- IP20 with options to increase
- Excellent thermal management
- High Quality LED & Driver combination

OPTIONS

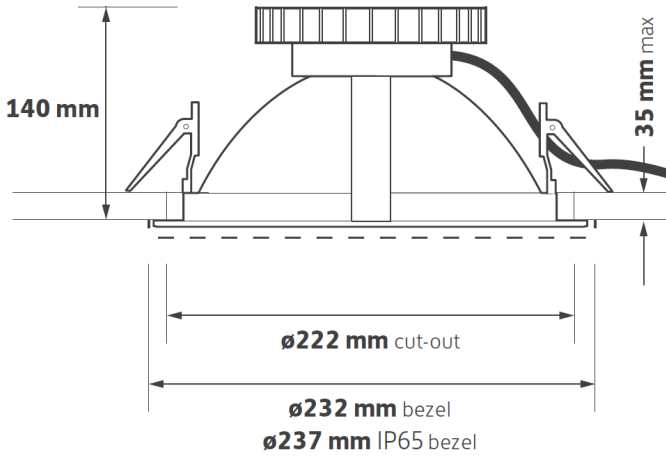
- 3000K & 4000K
- DALI & Wireless Casambi options
- Ingress Protection choices
- Lenses for all applications
- Emergency options



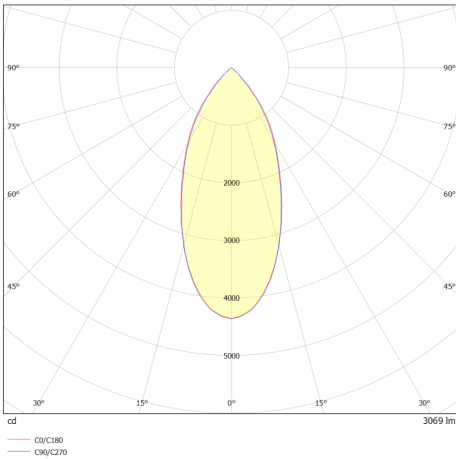
SERIES 839

Downlights

PRODUCT DIMENSIONS



PHOTOMETRIC



T: 01282 476600 | E: info@photoniclighing.co.uk

Unit 1 Boran Court, Network 65, Hapton, Burnley BB11 5TH

www.photoniclighing.co.uk

SERIES 839

Downlights

PRODUCT SPECIFICATION

839 - (LM) - (CCT) - (OP) - (CTR) - (IP) - (EM)

Lumen Output (LM)	
Code	Description
10	1000 Lumens (9.5W)
20	2000 Lumens (17.5W)
30	3000 Lumens (30.5W)
48	4800 Lumens (46.5W)

Correlated Colour Temperature (CCT)	
Code	Description
830	80 CRI 3000K
840	80 CRI 4000K

Beam angle (OP)	
Code	Description
50	50° reflector
40	40° reflector

Control (CTR)	
Code	Description
N	Non Dimmable
RD	Retractive Dim
D	Dali Dim
BC	Bluetooth Casambi

IP Rating (IP)	
Code	Description
20	IP20
54	IP54
65G	IP65 Clear Glass
65O	IP65 Opal Polycarbonate
65C	IP65 Clear Polycarbonate

Emergency (EM)	
Code	Description
L3	3W Lithium Emergency
DE3	DALI Emergency

OPTIONS



T: 01282 476600 | E: info@photoniclighting.co.uk

Unit 1 Boran Court, Network 65, Hapton, Burnley BB11 5TH

www.photoniclighting.co.uk