

SERIES 831

Downlights



OVERVIEW

Series 831 is a low glare recessed LED downlight with Ø80mm bezel. Manufactured with an injection moulded 36° reflector & moulded baffle with Die cast Bezel. Lifetime >50,000 hours L70 with 5 year warranty.

FEATURES

- Low glare
- >50,000 hours
- Flicker free
- 5 year warranty

OPTIONS

- 3000K or 4000K
- DALI, Casambi or other control available
- Emergency options



T: 01282 476600 | E: info@photonicleighting.co.uk

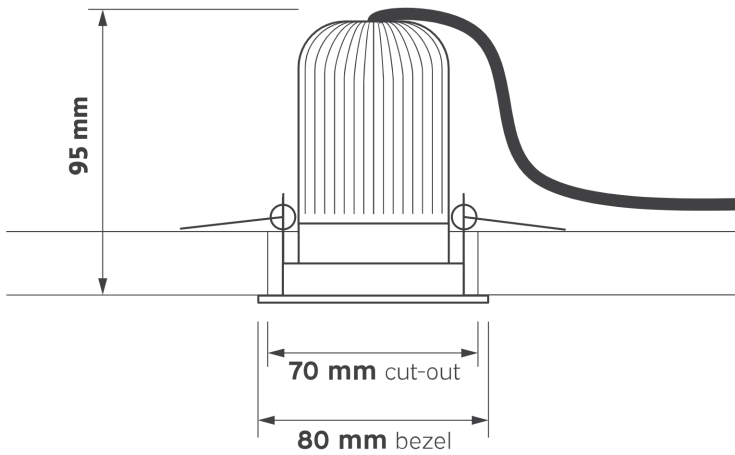
Unit 1 Boran Court, Network 65, Hapton, Burnley BB11 5TH

www.photonicleighting.co.uk

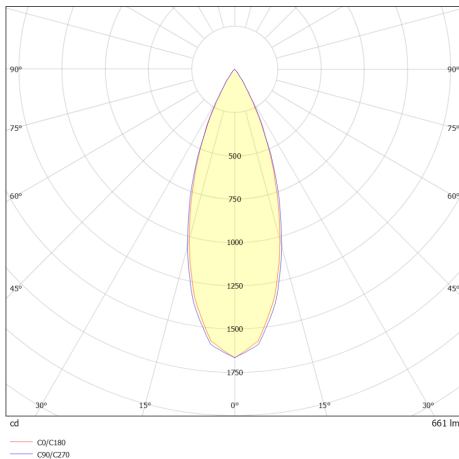
SERIES 831

Downlights

PRODUCT DIMENSIONS



PHOTOMETRIC



PRODUCT SPECIFICATION

831 - 7 - (CCT) - (CR) - (CTR) - (EM)

Lumen Output (LM)	
Code	Description
7	750lm (8W)

Correlated Colour Temperature (CCT)	
Code	Description
830	80 CRI 3000K
840	80 CRI 4000K

Colour (CR)	
Code	Description
W	White

Control (CTR)	
Code	Description
N	Switched
PHD	Phase Dim
D	DALI
RD	Retractive Dim
BC	Bluetooth Casambi

Emergency (EM)	
Code	Description
L3	3W Emergency
DE3	Dali 3W Emergency

T: 01282 476600 | E: info@photonighting.co.uk

Unit 1 Boran Court, Network 65, Hapton, Burnley BB11 5TH

www.photonighting.co.uk

SERIES 831

Downlights

OPTIONS



T: 01282 476600 | E: info@photoniclighing.co.uk

Unit 1 Boran Court, Network 65, Hapton, Burnley BB11 5TH

www.photoniclighing.co.uk