



OVERVIEW

Series 615 is a Casambi enabled PIR sensor suitable for up to 15m mounting height. This PIR detector can detect up to Ø40m at 15m height along with allowing for daylight sensing. This remote PIR sensor can control a group scene or luminaires from a configurable setup via the Casambi app.

FEATURES

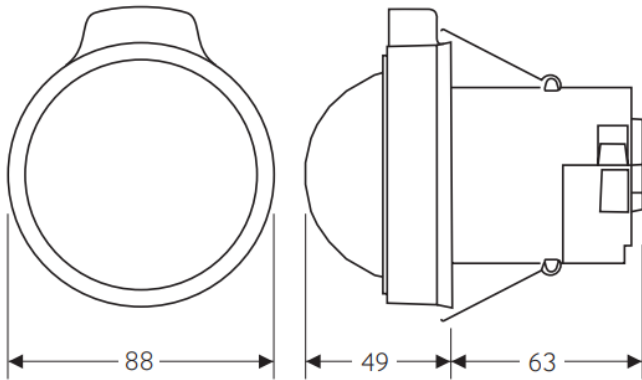
- High level PIR sensor
- Casambi Enabled PIR
- 5 year warranty

OPTIONS

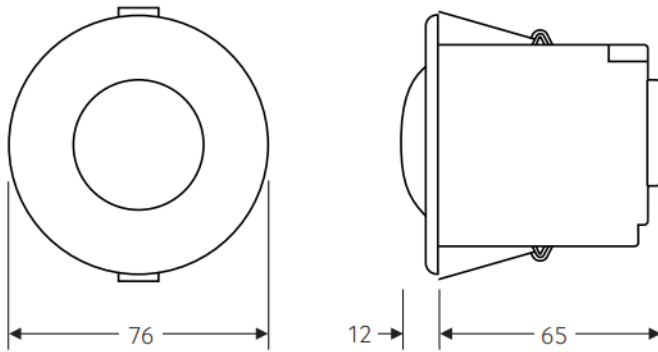
- Relay and DALI outputs available
- Supplied with masking shields to tailor detection zones
- Surface mount accessory available



PRODUCT DIMENSIONS



615-15



615-9

PHOTOMETRIC

PRODUCT SPECIFICATION

615 - (MN)

Mounting Height (MN)	
Code	Description
9	9m Height
15	15m Height

Accessories	
Code	Description
615-SM	Surface mounting kit

SERIES 615

Controls

OPTIONS



T: 01282 476600 | E: info@photoniclighing.co.uk

Unit 1 Boran Court, Network 65, Hapton, Burnley BB11 5TH

www.photoniclighing.co.uk