

SERIES 530

Emergency



OVERVIEW

Series 530 Smart Emergency Twin spots are ICEL endorsed and manufactured to provide full compliance to current standards, including BS 60598-2-22 and ISO 7010. Each spot can be individually rotated and angled for best coverage.

FEATURES

- IP65 Self-contained emergency twin spot
- IK10
- Low stand-by power consumption <0.5W
- Li-ion battery with 5 year life
- Non-maintained 350lm in emergency mode
- Suitable for indoor & out door

OPTIONS

- Self test or Manual test
- Optional remote control



T: 01282 476600 | E: info@photoniclighting.co.uk

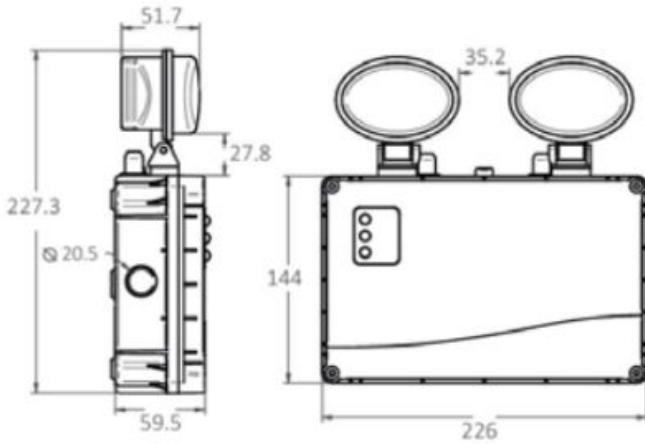
Unit 1 Boran Court, Network 65, Hapton, Burnley BB11 5TH

www.photoniclighting.co.uk

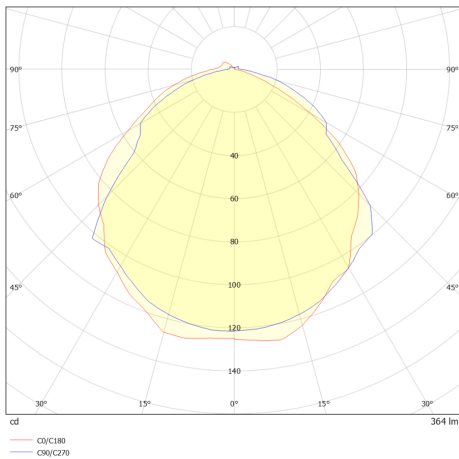
SERIES 530

Emergency

PRODUCT DIMENSIONS



PHOTOMETRIC



PRODUCT SPECIFICATION

530 - (LM) - (FN)

Lumen Output (LM)	
Code	Description
35	350 Lumens

Function (FN)	
Code	Description
MN	Manual test
ST	Self test

T: 01282 476600 | E: info@photoniclighing.co.uk

Unit 1 Boran Court, Network 65, Hapton, Burnley BB11 5TH

www.photoniclighing.co.uk

SERIES 530

Emergency

PHOTONIC.
LIGHTING SOLUTIONS

OPTIONS



T: 01282 476600 | E: info@photoniclitching.co.uk

Unit 1 Boran Court, Network 65, Hapton, Burnley BB11 5TH

www.photoniclitching.co.uk