

# SERIES 391

## Trackspot



### OVERVIEW

Series 391 is a stylish track spot available in 2 lumen outputs with 2 manually adjustable beam angle choices. Series 391 also fits on standard 3 circuit track, with the options of also DALI dimming or Casambi Dimming. Head is adjustable to aim at any direction required, tilting through 90° and rotatable through 355°, complete with a low glare TIR optic which can be manually adjusted to focus the beam exactly where it is required. Ideally for environments when the subject changes, such as retail, art or museum spaces.

### FEATURES

- Stylish low profile Track spot
- Head can pivot 90° and rotate through 355°
- Low glare TIR optic with tuneable beam for controlled performance.

### OPTIONS

- 2700K, 3000K or 4000K options
- 2 manual adjustable optic choices
- 2 Luminaire colour choices
- Choice of Control options



T: 01282 476600 | E: [info@photonighting.co.uk](mailto:info@photonighting.co.uk)

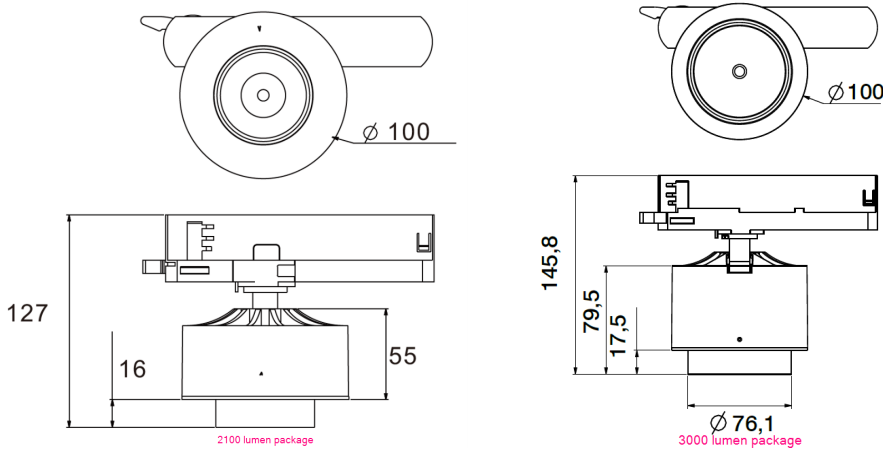
Unit 1 Boran Court, Network 65, Hapton, Burnley BB11 5TH

[www.photonighting.co.uk](http://www.photonighting.co.uk)

# SERIES 391

## Trackspot

### PRODUCT DIMENSIONS



### PHOTOMETRIC

### PRODUCT SPECIFICATION

391 - (LM) - (CCT) - (OP) - (CTR) - (CR)

Lumen Output (LM)	
Code	Description
21	2100lm (20W)
30	3000lm (26W)

Correlated Colour Temperature (CCT)	
Code	Description
827	80CRI 2700K
830	80CRI 3000K
840	80CRI 4000K

Beam angle (OP)	
Code	Description
15-36	15°-36° (available in 2100lm only)
36-60	36°-60° (available in 2100lm only)
20-40	20°-40° (available in 3000lm only)
40-60	40°-60° (available in 3000lm only)

Control (CTR)	
Code	Description
N	Non-dim
D	DALI
BC	Bluetooth Casambi

Colour (CR)	
Code	Description
WH	White
BK	Black

### OPTIONS



T: 01282 476600 | E: info@photonighting.co.uk

Unit 1 Boran Court, Network 65, Hapton, Burnley BB11 5TH

[www.photonighting.co.uk](http://www.photonighting.co.uk)