

# SERIES 542

## Emergency



### OVERVIEW

Series 542 Razor modern exit sign with multiple fixing options and a self test option

### FEATURES

- 6500K
- Multiple mounting options from singular product
- Black or White Polycarbonate body
- 30m Viewing distance
- 5 years warranty

### OPTIONS

- Maintained or self-test
- White or Black



T: 01282 476600 | E: [info@photonicleighting.co.uk](mailto:info@photonicleighting.co.uk)

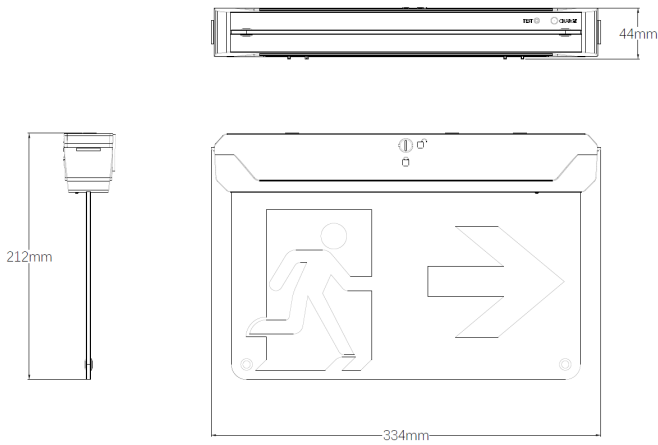
Unit 1 Boran Court, Network 65, Hapton, Burnley BB11 5TH

[www.photonicleighting.co.uk](http://www.photonicleighting.co.uk)

# SERIES 542

## Emergency

### PRODUCT DIMENSIONS



### PHOTOMETRIC

### PRODUCT SPECIFICATION

**542 - (FN) - (CR) - 865**

Function (FN)	
Code	Description
<b>M</b>	Manual Test
<b>SL</b>	Self Test

Housing Colour (CR)	
Code	Description
<b>WH</b>	White
<b>BK</b>	Black

Correlated Colour Temperature (CCT)	
Code	Description
<b>865</b>	80 CRI 6500K

Accessories	
Code	Description
<b>542-L-L/R</b>	Legend Left/Right
<b>542-L-D</b>	Legend Down
<b>542-REC-WH</b>	Recessed Kit White
<b>542-SUS-WH</b>	Suspension Kit White
<b>542-SUS-BK</b>	Suspension Kit Black
<b>542-FLG-WH</b>	Flag mounting kit White

T: 01282 476600 | E: [info@photoniclighting.co.uk](mailto:info@photoniclighting.co.uk)

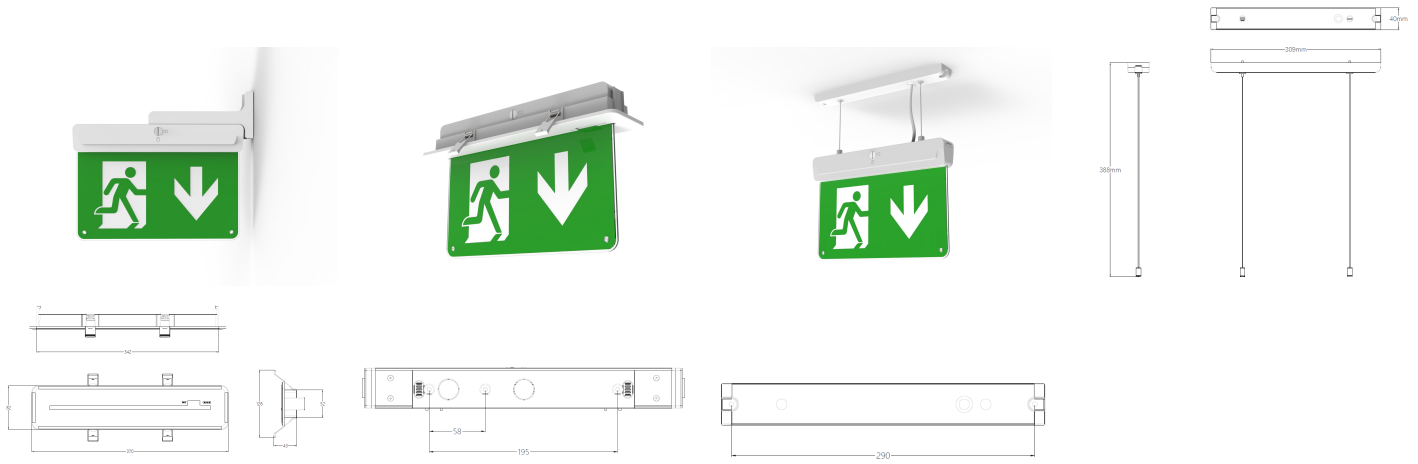
Unit 1 Boran Court, Network 65, Hapton, Burnley BB11 5TH

[www.photoniclighting.co.uk](http://www.photoniclighting.co.uk)

# SERIES 542

## Emergency

### ACCESSORIES



T: 01282 476600 | E: [info@photoniclighting.co.uk](mailto:info@photoniclighting.co.uk)

Unit 1 Boran Court, Network 65, Hapton, Burnley BB11 5TH

[www.photoniclighting.co.uk](http://www.photoniclighting.co.uk)