

SERIES 110.2

Linear

PHOTONIC.
LIGHTING SOLUTIONS



OVERVIEW

A Curved wide profile linear batten with low glare diffuser, Series 110.2 uses high efficiency Samsung LEDs with 2600-7000 lumen variants. Easy to Install with multiple mounting options and clip on end caps for ultimate versatility. Series 110.2 can also be supplied with sensors, dimming control and emergency options.

FEATURES

- 80 CRI 3000K & 4000K
- Reeded diffuser
- Clipped end caps to allow for easy install.
- Surface, Suspended or BESA mounting options

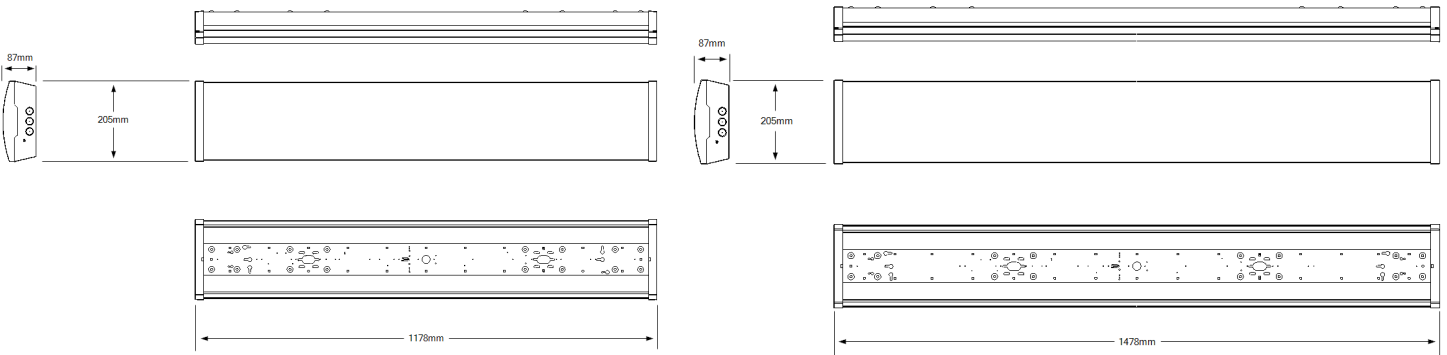
OPTIONS

- 4FT & 5FT
- Multiple dimming and control options



SILVAIR

PRODUCT DIMENSIONS

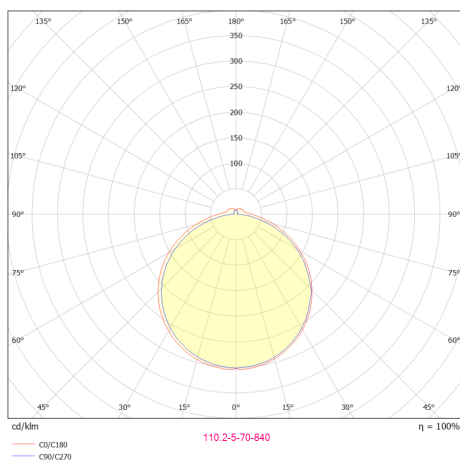
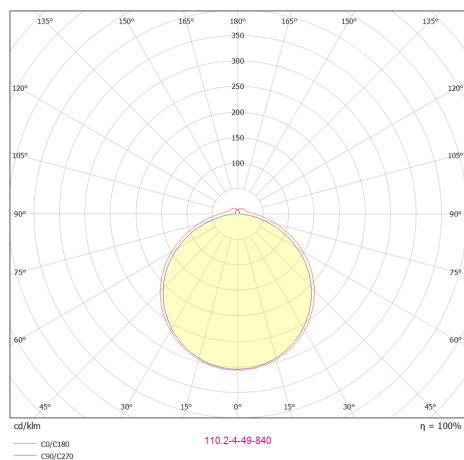


T: 01282 476600 | E: info@photonicleighting.co.uk

Unit 1 Boran Court, Network 65, Hapton, Burnley BB11 5TH

www.photonicleighting.co.uk

PHOTOMETRIC



PRODUCT SPECIFICATION

110.2 - (SZ) - (LM) - (CCT) - (CTR) - (EM)

Size (SZ)		Lumen Output (LM)	
Code	Description	Code	Description
4	4FT	26	2600lm
		36	3600lm
		41	4100lm
		49	4900lm
5	5FT	40	4000lm
		50	5000lm
		61	6100lm
		70	7000lm

Correlated Colour Temperature (CCT)	
Code	Description
830	3000K 80 CRI
840	4000K 80 CRI

Emergency (EM)	
Code	Description
L3	3W Lithium
SL3	3W Self test lithium

Control (CTR)	
Code	Description
N	Non Dim
D	DALI dim
RD	Retractive Dim
10	1-10v dim
P7	PIR on/off
PD7	PIR dimming
M6	Microwave on/off
BC	Bluetooth Casambi
BH	Bluetooth Hubsense